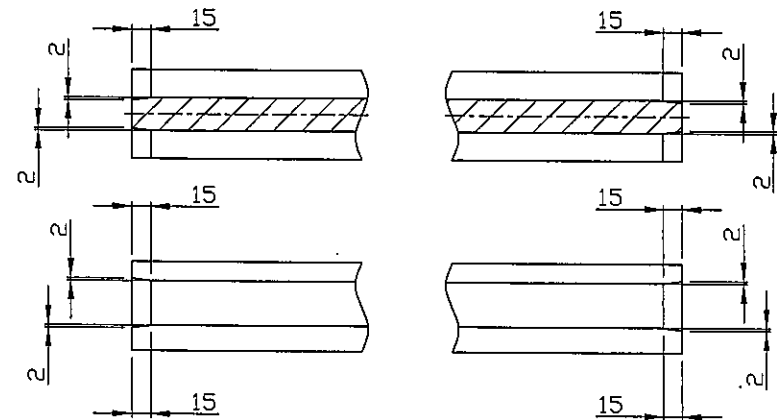
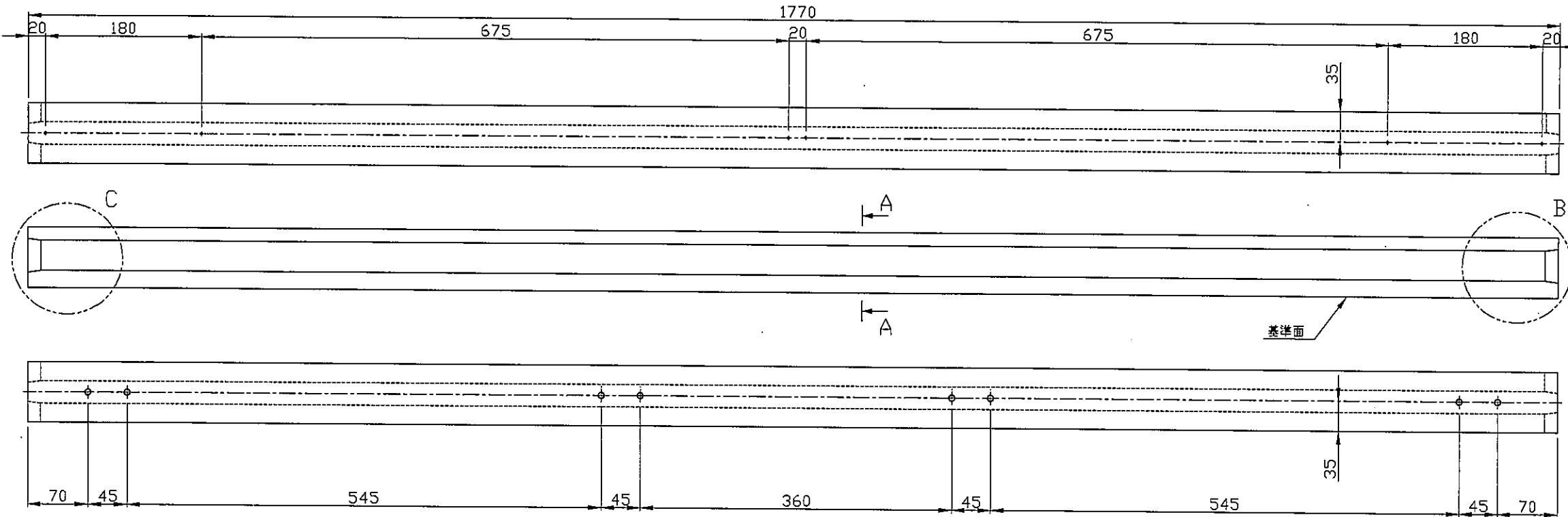
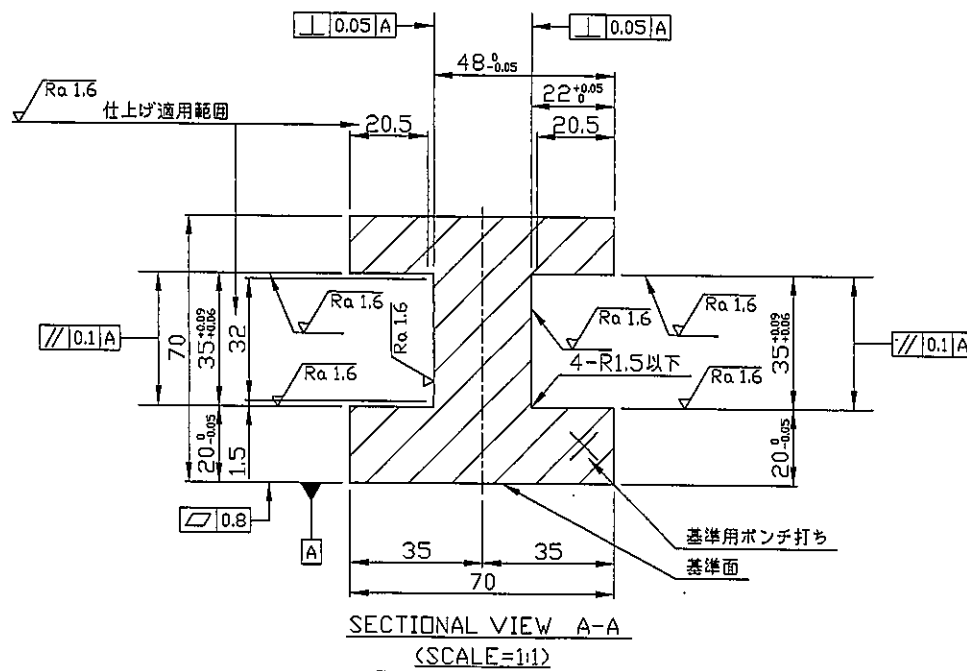


出図
22.12.02
管理



DETAILS OF C PART SCALE=1:3 (BOTH SIDE)
DETAILS OF B PART SCALE=1:3 (BOTH SIDE)



SECTIONAL VIEW A-A (SCALE=1:1)

0520
22.12.02
川俣

TOTAL数 2
D 1/31

焼鈍 → 荒加工 → 焼鈍 → 仕上げ加工 → イオン窒化

SYM	REQ'D	STOCK SIZE	WEIGHT (Kg)
A			
B			
C			
D			
E			
F			
G			
H			

DWG ID 22-81-6520-MA52-U994-001-00		REV. NO. 00	REV. DATE	SIGN	DESCRIPTION
CHECKED BY 松	DESIGNED BY Y. TAKEMATSU	TITLE SLIDE RAIL		SIZE A1	SCALE 1:3
APPROVED BY 松	DRAWN BY Y. TAKEMATSU	MATERIAL S50C		SPEC./TREAT. HNT-P イオン窒化 HV600~700 (HRC55~60)	
DATE 2022-11-14		CODE NO. DB00C3	PROJ. NO. 22-81-6520	DWG. NO. MA52-U994-001	PAGE NO. 00
UNLESS OTHERWISE SPECIFIED, USE TOLERANCES BELOW. (FOR LENGTH) (FOR ANGLE)		WEIGHT Kg			
Length	0.5-3	3-6	6-30	30-100	100-1000
Machining	±0.1	±0.1	±0.2	±0.3	±0.5
Metal Forming	±0.2	±0.3	±0.5	±0.8	±1.2